



D
PLATTO
I
THINK GARDENING



ABOUT US



Steered by Landscape Architects, Platto was crafted passionately for transforming homes, offices, and retail spaces alike through different styles, sizes, and shapes of planters to accommodate different types of plants, environments, and aesthetic preferences.

Founded in 2023, Over the past year, Platto has constantly worked towards maintaining its commitment to delivering high-quality product while also adapting to changing consumer preferences and market trends.



LIGHTWEIGHT 🌿

Lightweight planters are much easier to move around compared to heavier options. This is particularly useful for those who like to rearrange their outdoor or indoor spaces frequently.

VERSATILITY 🌸

Lightweight planters come in a wide variety of shapes, sizes, and designs. They can mimic the appearance of heavier materials like stone or ceramic while offering the practicality of being easier to handle.

WEATHER RESISTANCE 🌧️

Lightweight planter materials are resistant to weather damage, including fading, cracking, and chipping. This makes them suitable for outdoor use in various climates without the need for frequent maintenance.

DURABLE 🔗

Because they're lighter, these planters are less likely to cause damage to floors or outdoor surfaces when moved. They're also less likely to break if accidentally knocked over.



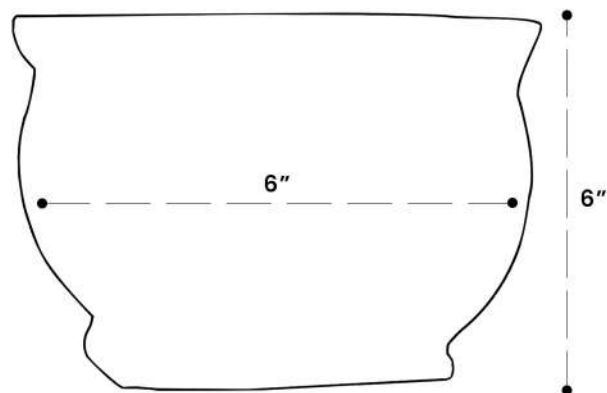
FEATURES OF FIBER POTS



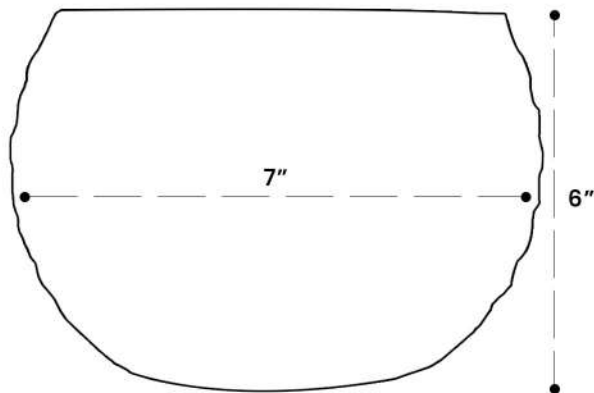
TABLE TOP SERIES



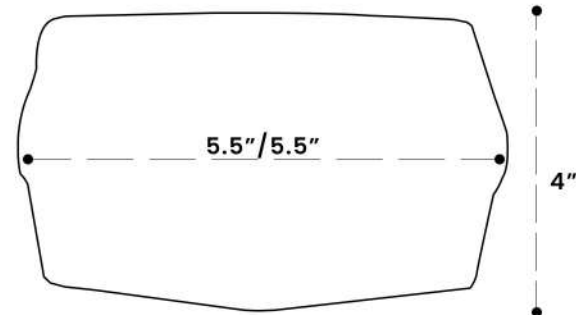
KETTLE



OPUS

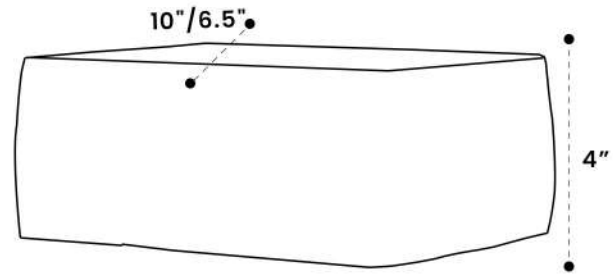


LAVO





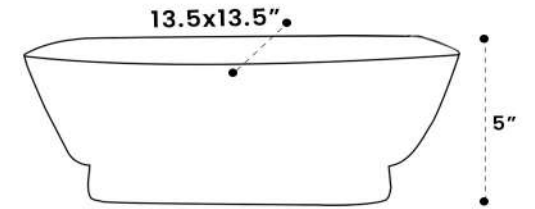
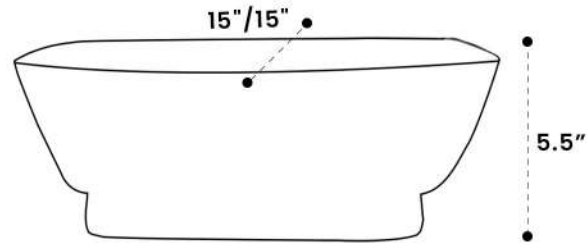
NATURA



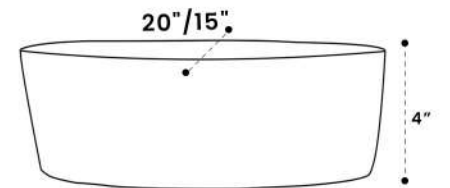
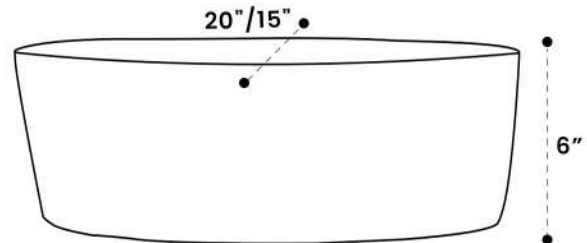
BONSAI TRAY PLANTERS



BONN L,S

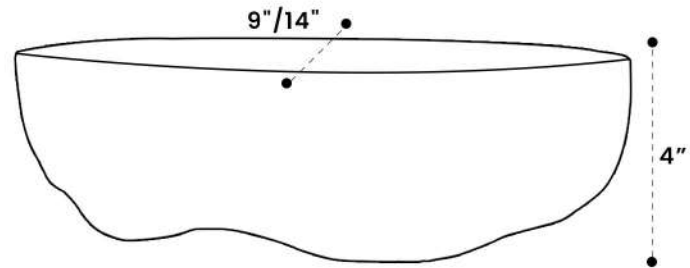


GRACE M,S





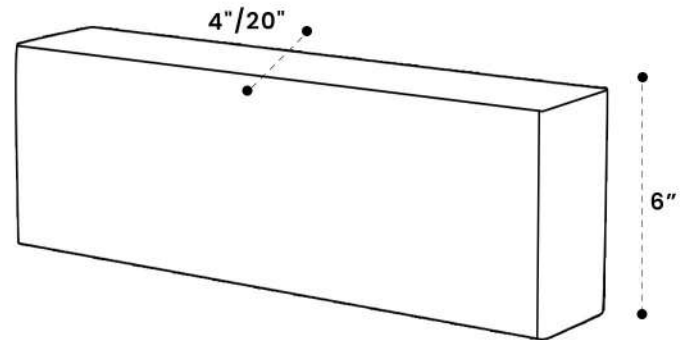
OLIVIA



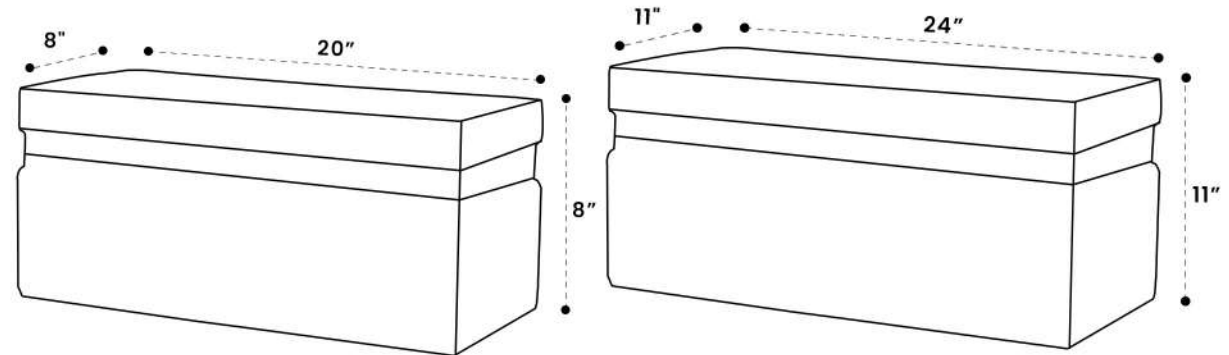
RECTANGULAR PLANTERS



LINEA

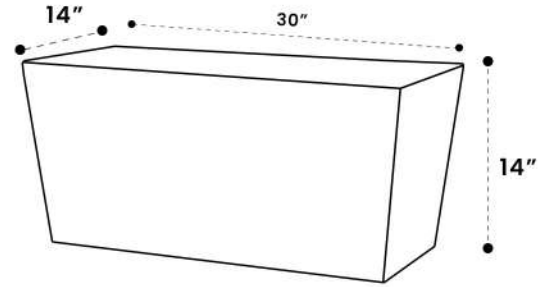


LUNA S,M

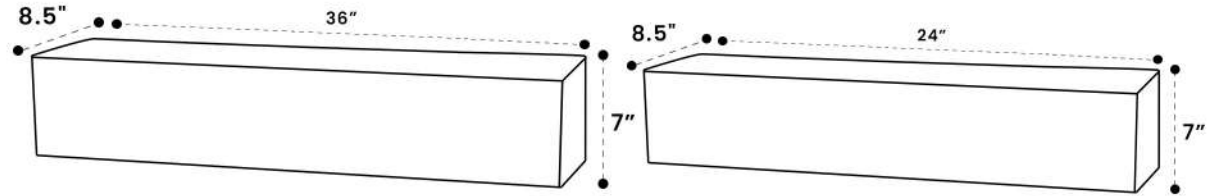




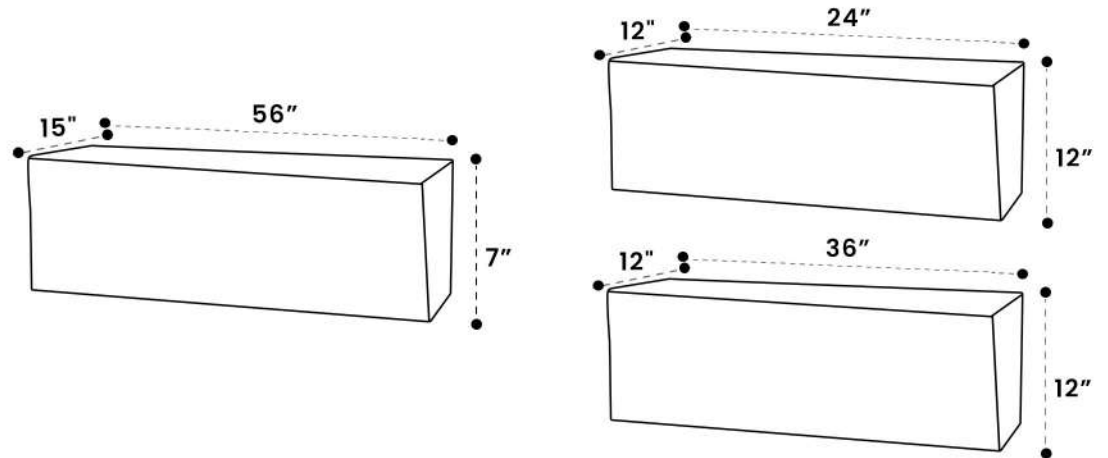
RHOMBUS



SLASH M,S

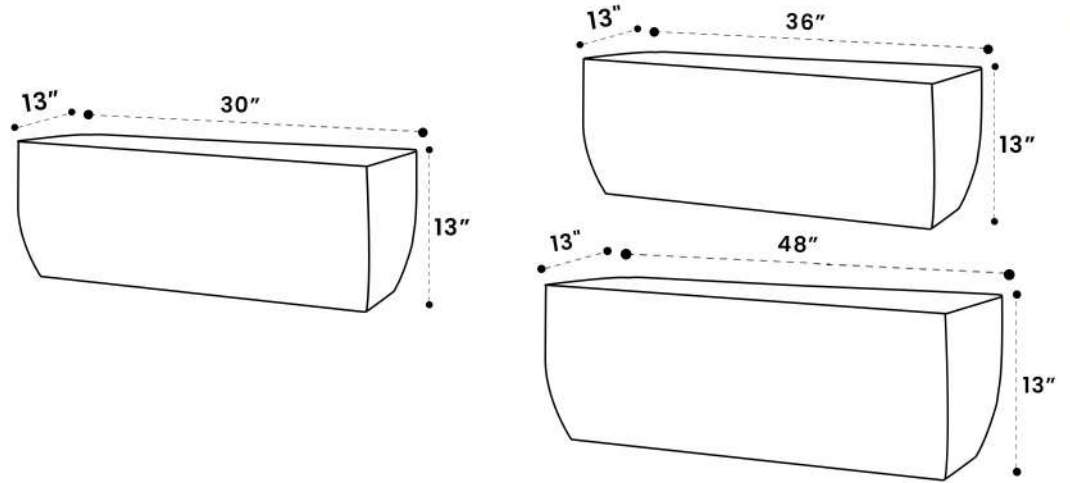


EDGE L,S,M

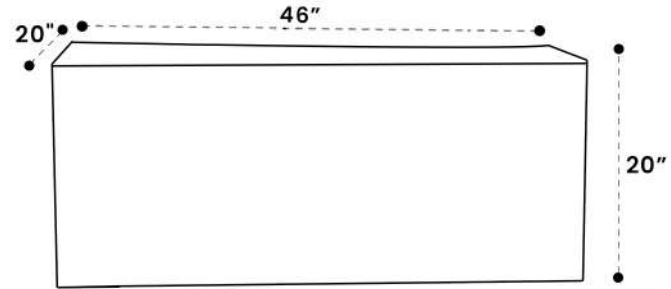




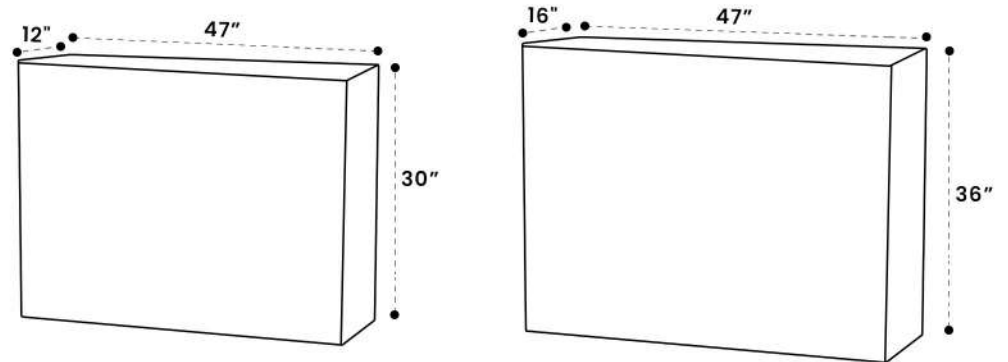
**URBAN
S,L,M**



VERDE

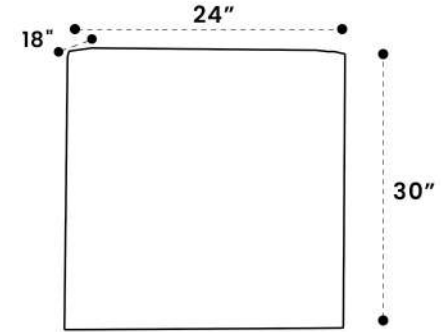


DELTA S,M





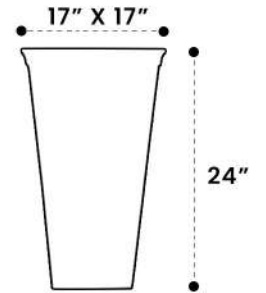
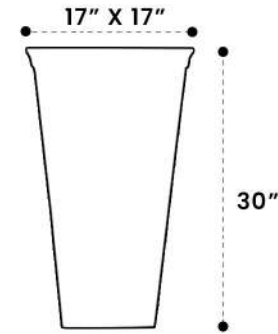
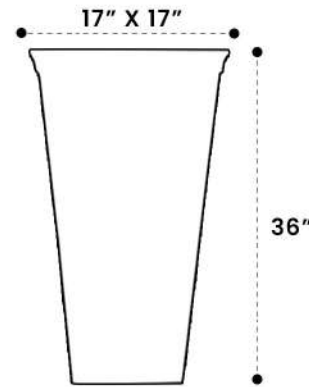
ARIAL



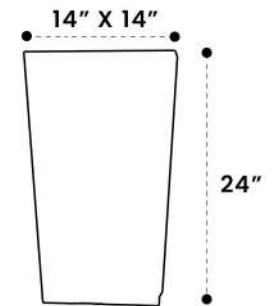
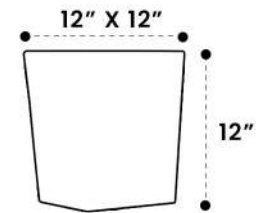
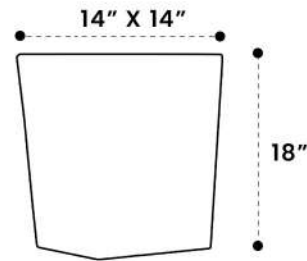
PILLAR PLANTERS



**Emerald
 L,M,S**

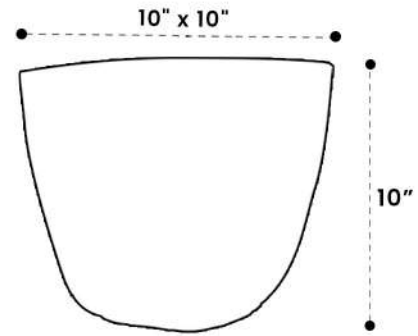
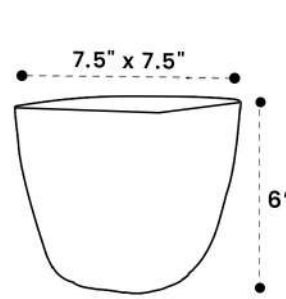


OPAL L,S,M

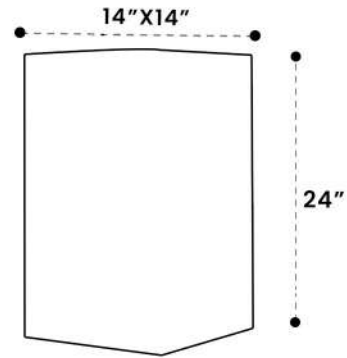




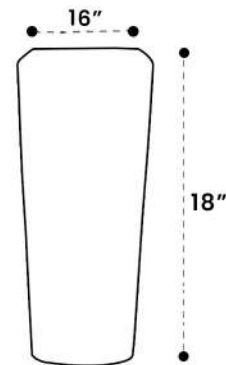
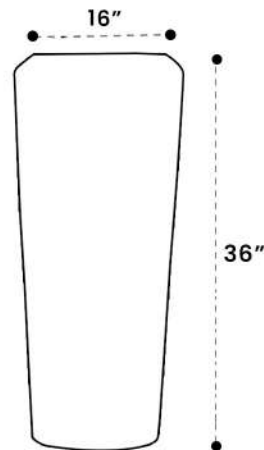
**SAPPHIRE
S, M**



TOPAZ



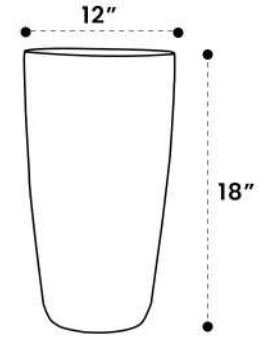
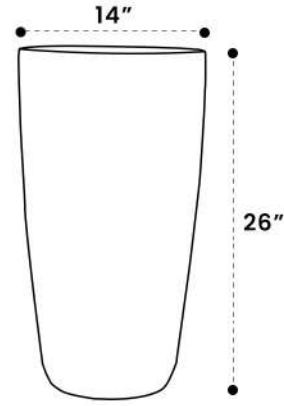
DORIAN M,S



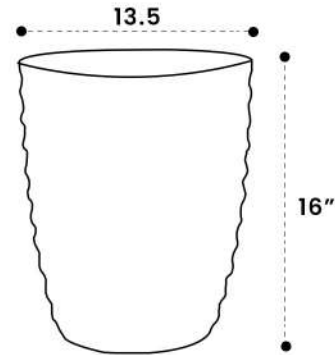
GLASS PLANTERS



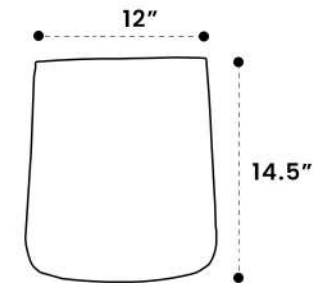
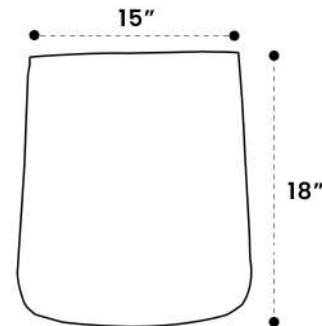
PHOENIX M,S



AURORA



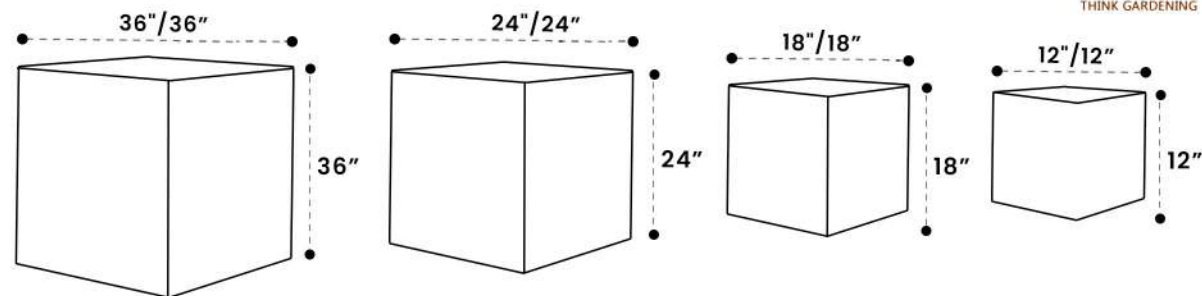
CHAOS M,S



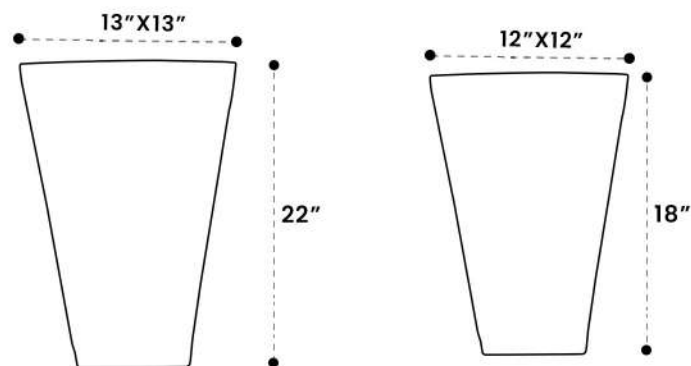
SQUARE PLANTERS



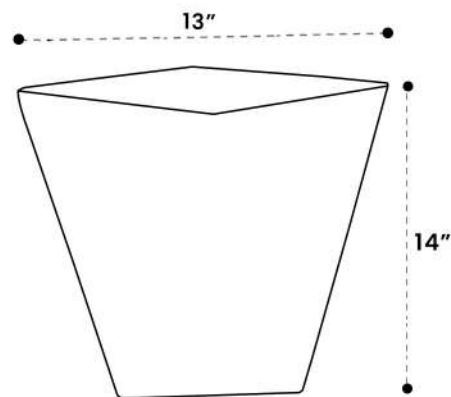
SQUARE
XL,L,M,XS



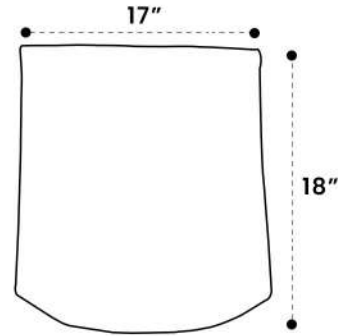
YEN M,S



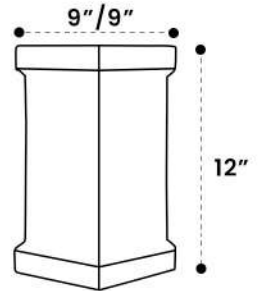
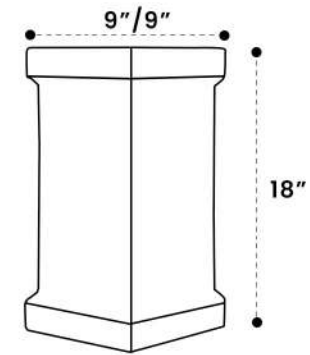
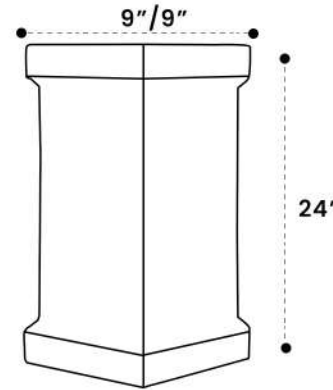
PARA



ZIG

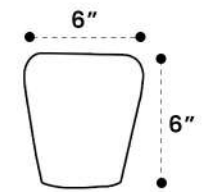
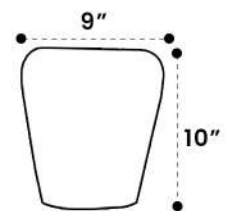
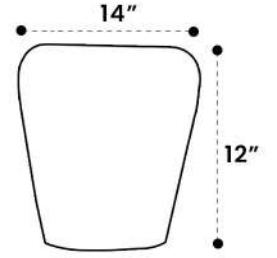
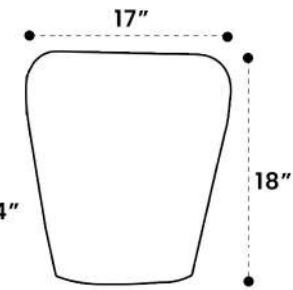
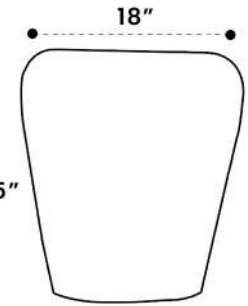
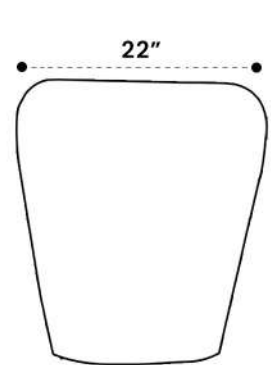


TULSI L,M,S



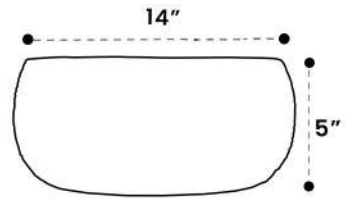
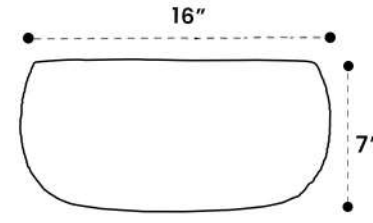
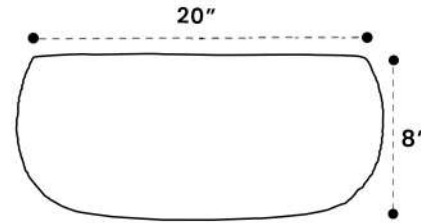
ROUND PLANTERS

**MOUND
XL,L,M,S,
XS,XXS**

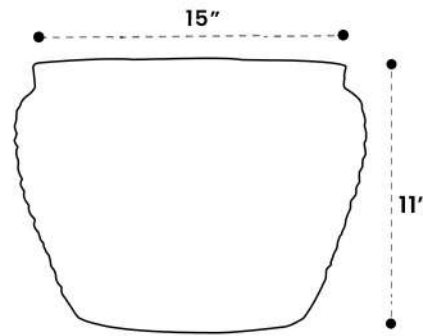




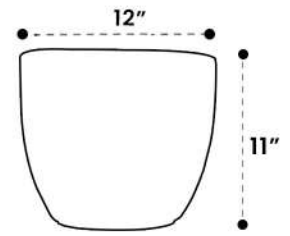
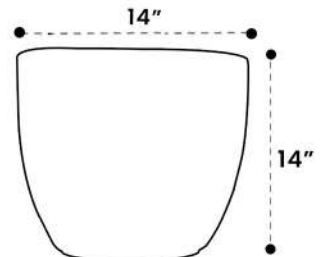
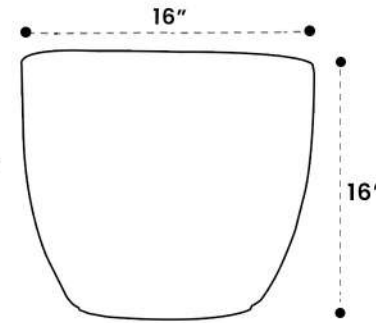
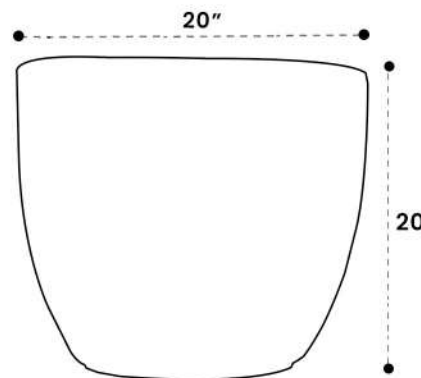
BELLO L,M,S



WAVE

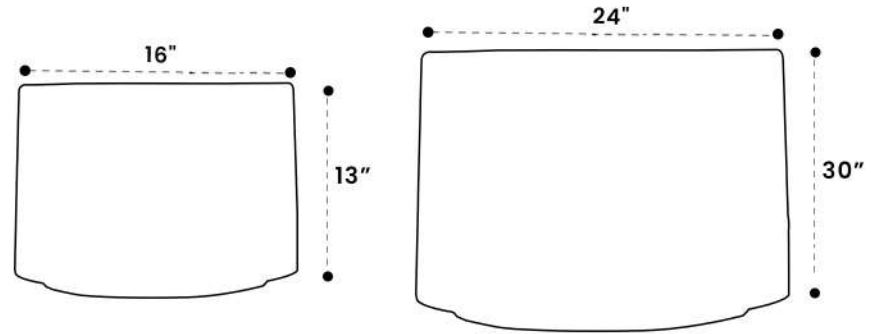


**HURL L,M,S
XS**

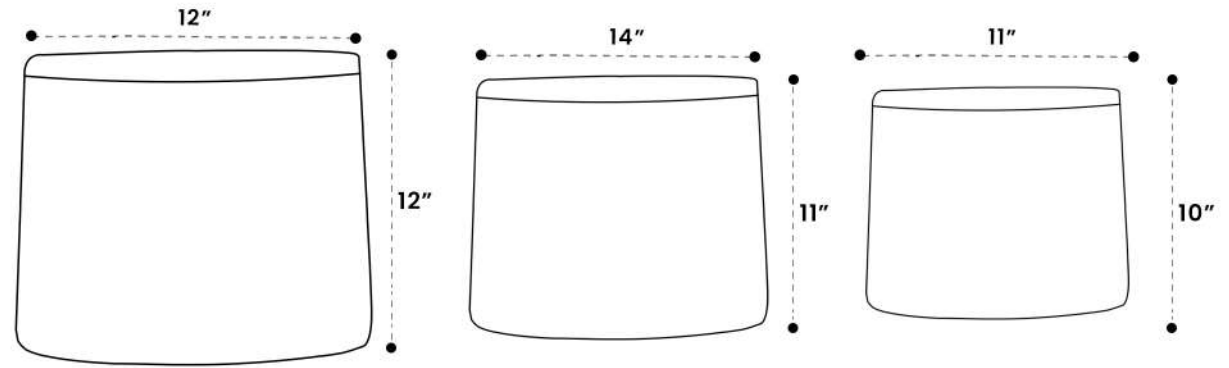




COLAR S, L



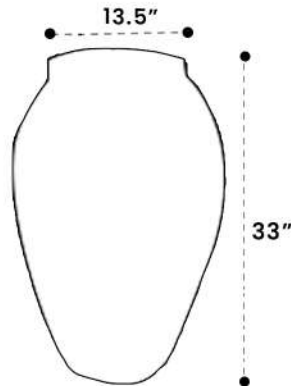
RIM S, M, XS



CURVILINEAR PLANTERS

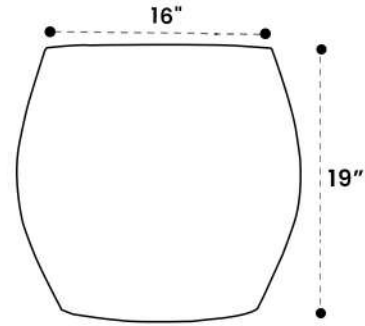


AGORA

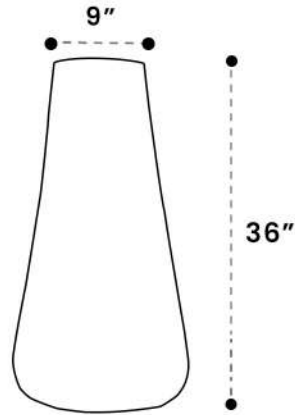




THEO



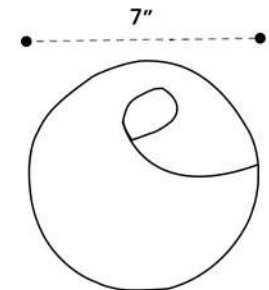
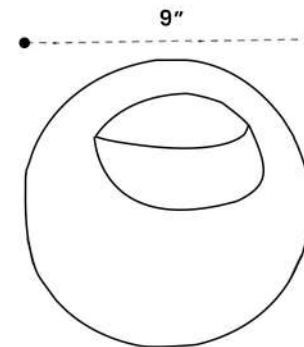
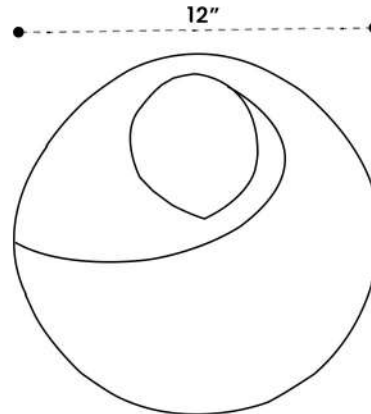
APOLLO



CLUSTER PLANTERS

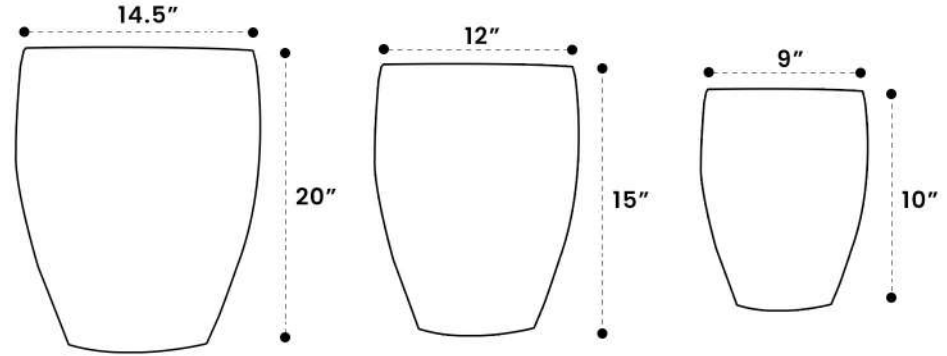


SHELL L,M,S

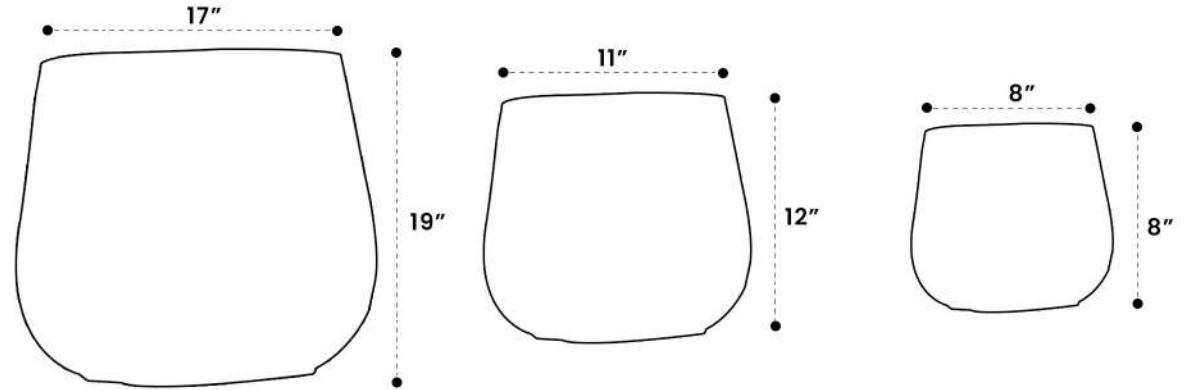




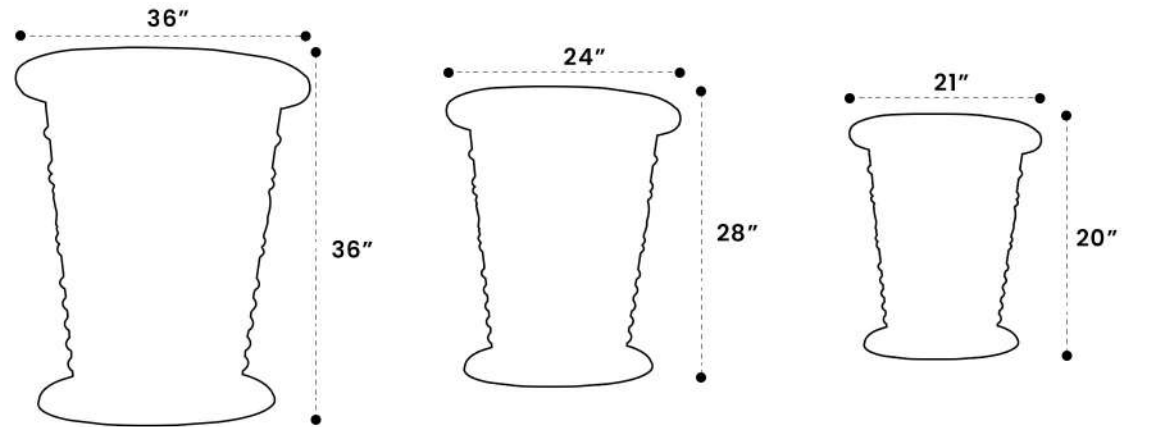
GLENN
M,S,XS



BELL
M,S,XS



WARLI
L,M,S



COLOR PALETTE

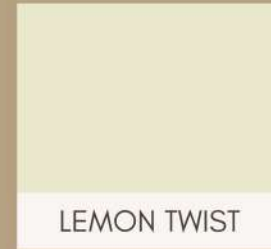
(White And Pastels)



WHITE CAMEO



SONNET



LEMON TWIST



PURE IVORY



BRILLIANT WHITE



PRISTINE LINEN



SOFT GLANCE



RAW JUTE



SOUTH POLE



DOUBLE CREAM



ICED SILVER



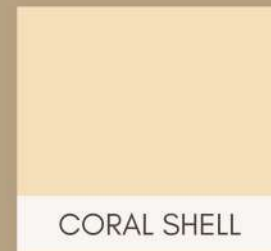
CRYSTAL BEACH



CRIMSON FLUSH



PUPPY LOVE



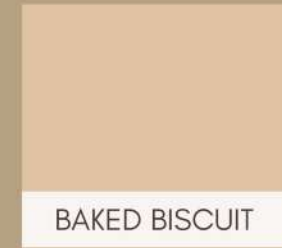
CORAL SHELL



SPRING DEW

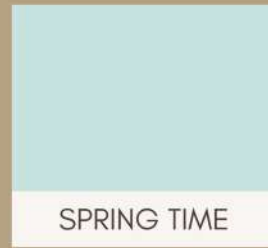
COLOR PALETTE

(Neutral Tones)



COLOR PALETTE

(Cool Tones)



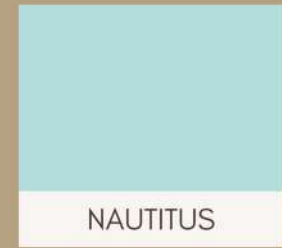
SPRING TIME



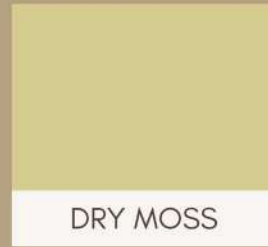
TOUCH OF SPRING



DARK DRAMA



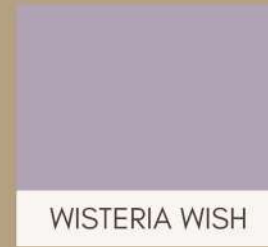
NAUTILUS



DRY MOSS



LAVENDER LACE



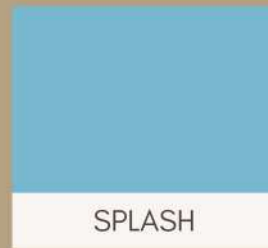
WISTERIA WISH



ITALIAN OLIVE



FAR HORIZONS



SPLASH



SPRING GRASS



ITALIAN IRIS



LAKE PLACID



PURPLE ILLUSION



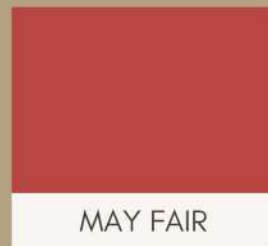
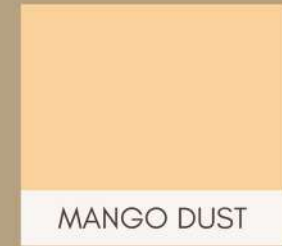
STORMY SEA



LAVENDER LACE

COLOR PALETTE

(Warm Tones)





HEAD OFFICE :

P4 115, Shri Ratnam Heights-II,
Kamla Nehru Nagar, Ajmer Road,
Jaipur 302021

BRANCH OFFICE :

32, New Loyal Pur Colony, Krishna
Nagar, Delhi 110051

D
PLATTO
I
THINK GARDENING

 plattodecor.com

 +91 9999278834

FOLLOW US ON :

  [Plattodecor](#)